

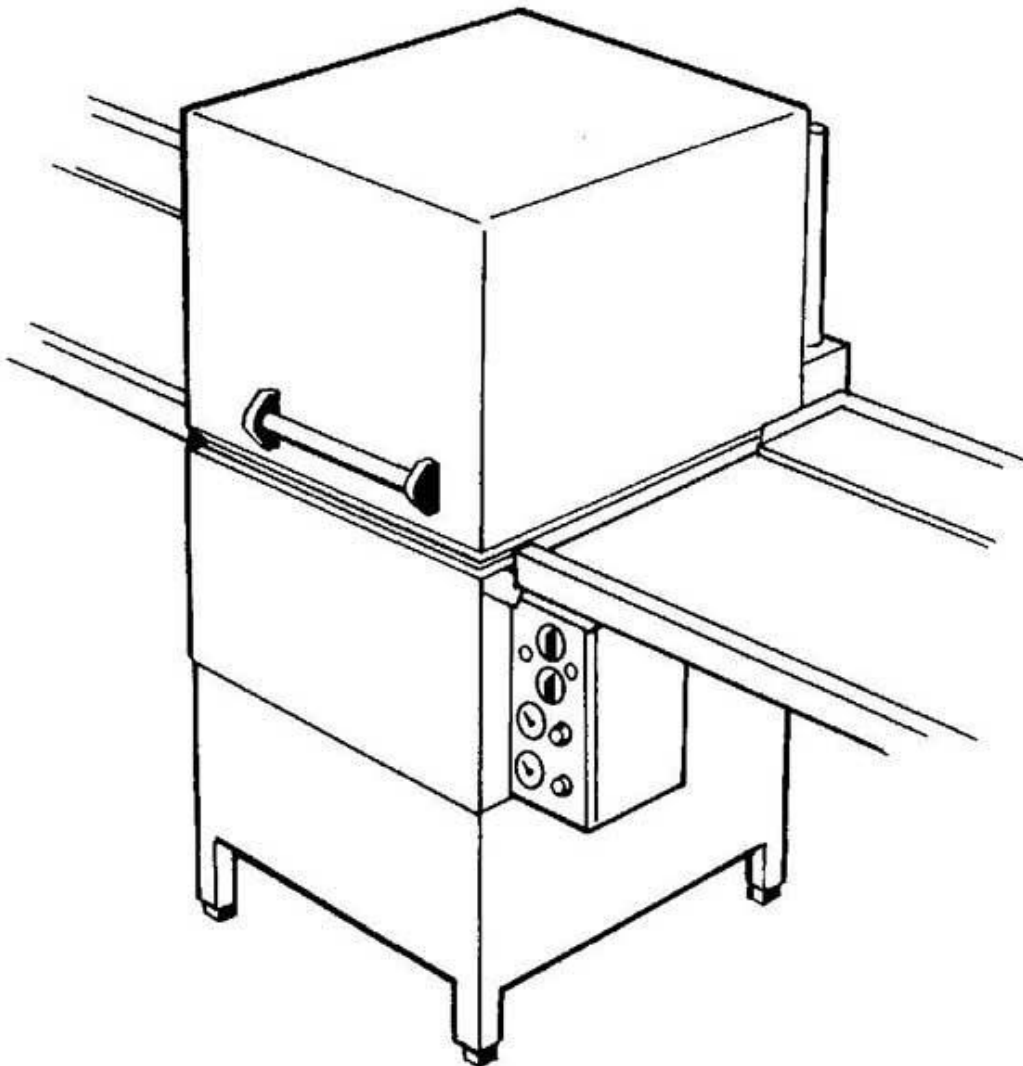
# winterhalter

## Spare Parts List

### GS 81

Revised 10/04

Part no. 89001391



## Summary

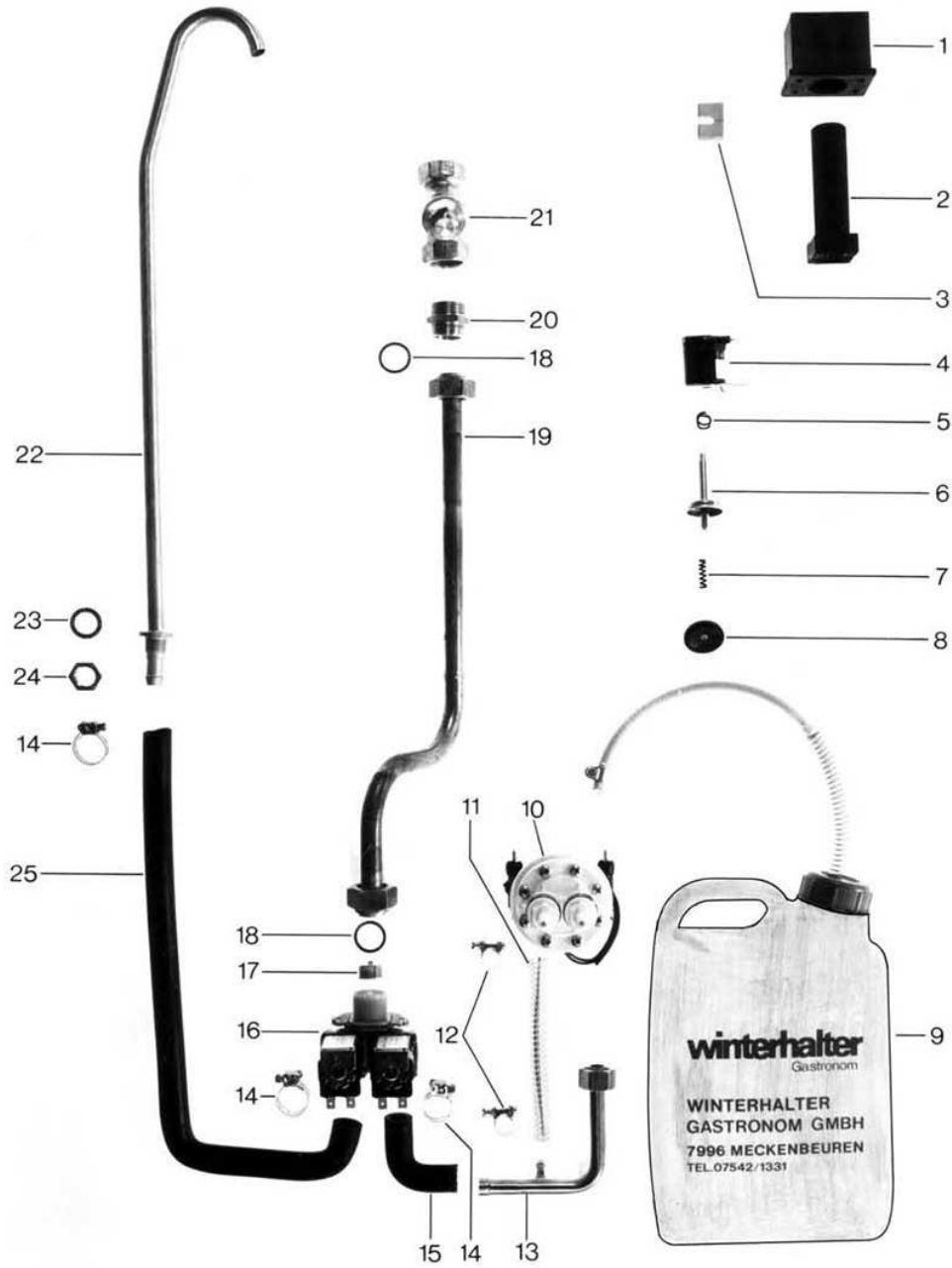
Base frame, water supply	Page 1 and 2
Water drain, Mediamat, tank heating	Page 3 and 4
Container, air chamber, panel	Page 5 and 6
Wash system I	Page 7 and 8
Wash system II	Page 9 and 10
Rinsing I (boiler)	Page 11 and 12
Rinsing II	Page 13 and 14
Hood, hood guide, hood locking I	Page 15 and 16
Hood, hood guide, hood locking II	Page 17 and 18
Electrical parts	Page 19 and 20

Racks and accessories see separate list.

Parts that have the note " Part made to order only!" are not in stock. This parts are made specially for your order and have a delivery time. They are not returnable.

### GS 81

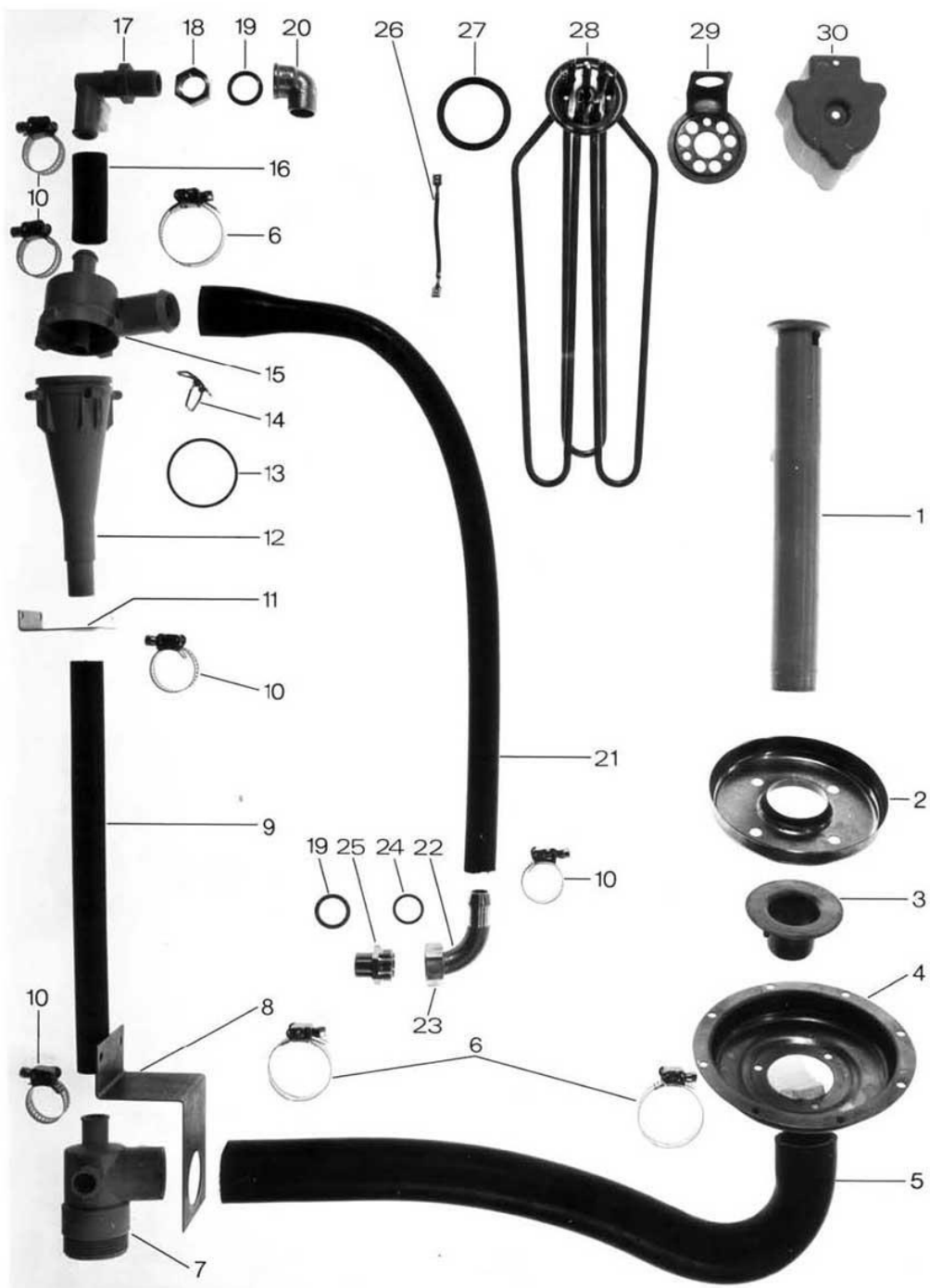
Untergestell, Wasserzulauf, Wassereinlauf  
Base frame, water supply, water inlet  
Châssis, alimentation d'eau, arrivée d'eau





### GS 81

Wasserablauf, Mediamat, Tankheizung  
Water drain, Mediamat, tank heating  
Ecoulement d'eau, Médiamat, chauffage cuve



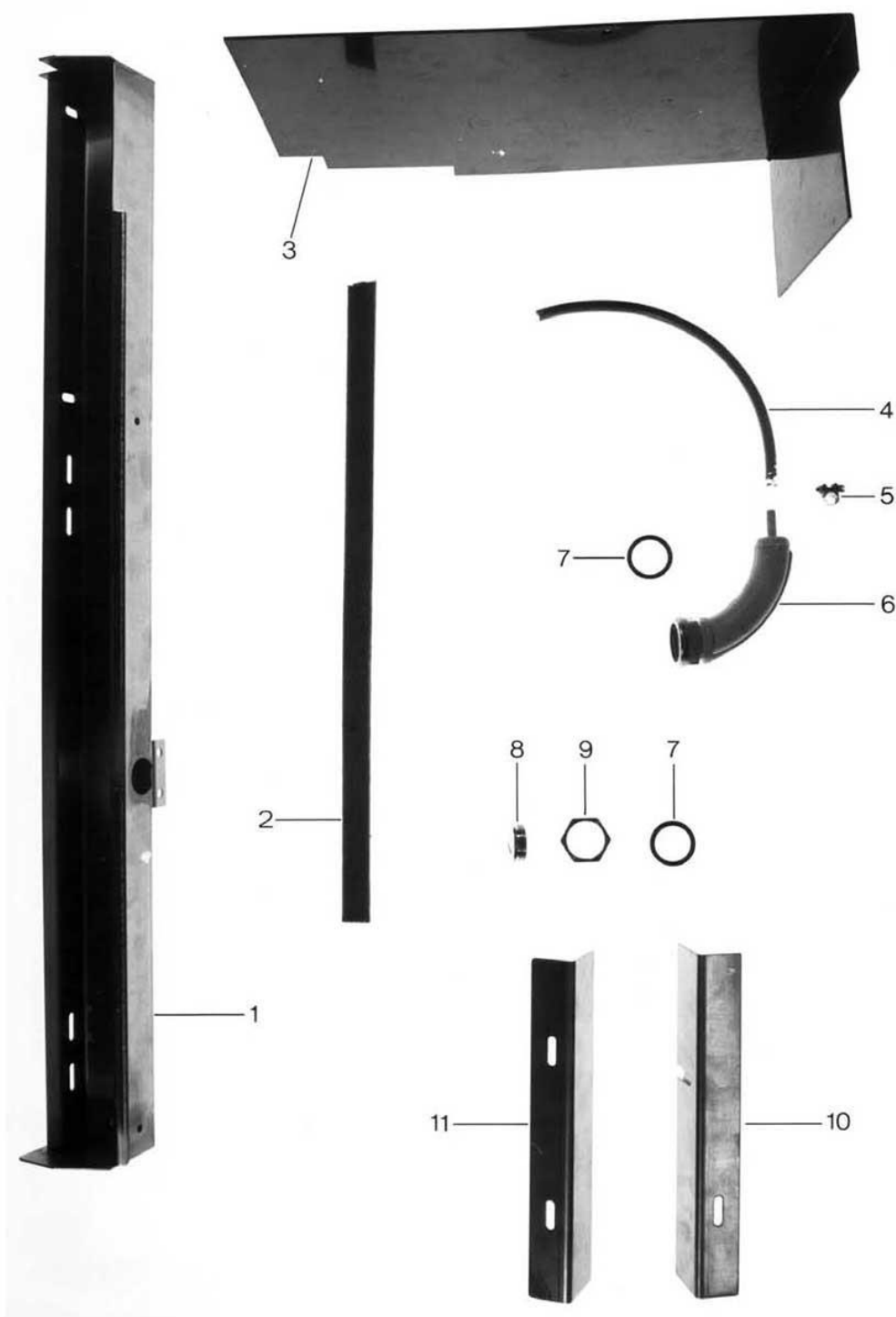
### GS 81 - Water drain, Mediamat, tank heating

Pos.	Designation	Part no.	Notes
1	Standpipe 245 lg.	29 04 254	
2	Drain filter	55 13 031	
3	Standpipe bottom part	55 04 029	
4	Drain pot	55 13 036	
5	Siphon	40 03 022	
6	Hose clip 32-52	28 02 110	for pos. 5/21
7	Mediamat drain	35 01 080	
8	Drain support	55 04 036	Part made for order only!
9	Hose $\varnothing$ 18 x 3,5 x 390 lg.	40 02 025	per metre
10	Hose clip 20-30	28 02 109	for pos. 9/16/21
11	Supporting angle	55 04 037	for Mediamat Part made for order only!
12	Accelerator	35 01 035	
13	O-ring $\varnothing$ 51 x 3,0	27 07 043	since 10/87
14	Spring lock	28 04 041	
15	Head piece	35 01 124	
16	Hose $\varnothing$ 18 x 3,5 x 70 lg.	40 02 025	per metre
17	Connection		
18	Locking nut 1/2" BSP	30 09 201	Old version
n.p.	Thrust ring	62002943	New version
19	Seal $\varnothing$ 28 x $\varnothing$ 21 x 2,0	27 09 011	Old version
n.p.	O-Ring	27 07 031	New version
20	Angle 1/2" BSP x 18	30 02 202	Old version
n.p.	Set tank inlet	61005339	New version pos. 18 + 20
21	Reduction hose 1300 lg.	40 03 036	
22	Mediamat connection	29 06 524	
23	Coupling nut 3/4" BSP	29 07 203	
24	Seal $\varnothing$ 19,5 x $\varnothing$ 24 x 1,5	27 09 010	
25	Red. double nipple 3/4"BSP x 1/2"	61003430	
n.p.	Red. double nipple with filter	30 11 502	
26	Link wire	31 23 088	
27	O-ring	27 07 069	for heating element
28	Heating element 6 kW 220/380 V	31 03 025	
n.p.	Heating element 6 kW 240/420 V	31 03 042	
29	Tank heating flange	31 03 067	
30	Covering cap	31 03 014	

Mediamat inlet  
cpl. 5531001

GS 81

Behälter, Windkessel, Verkleidung  
Container, air chamber, panel  
Récipient, chambre d'air, habillage

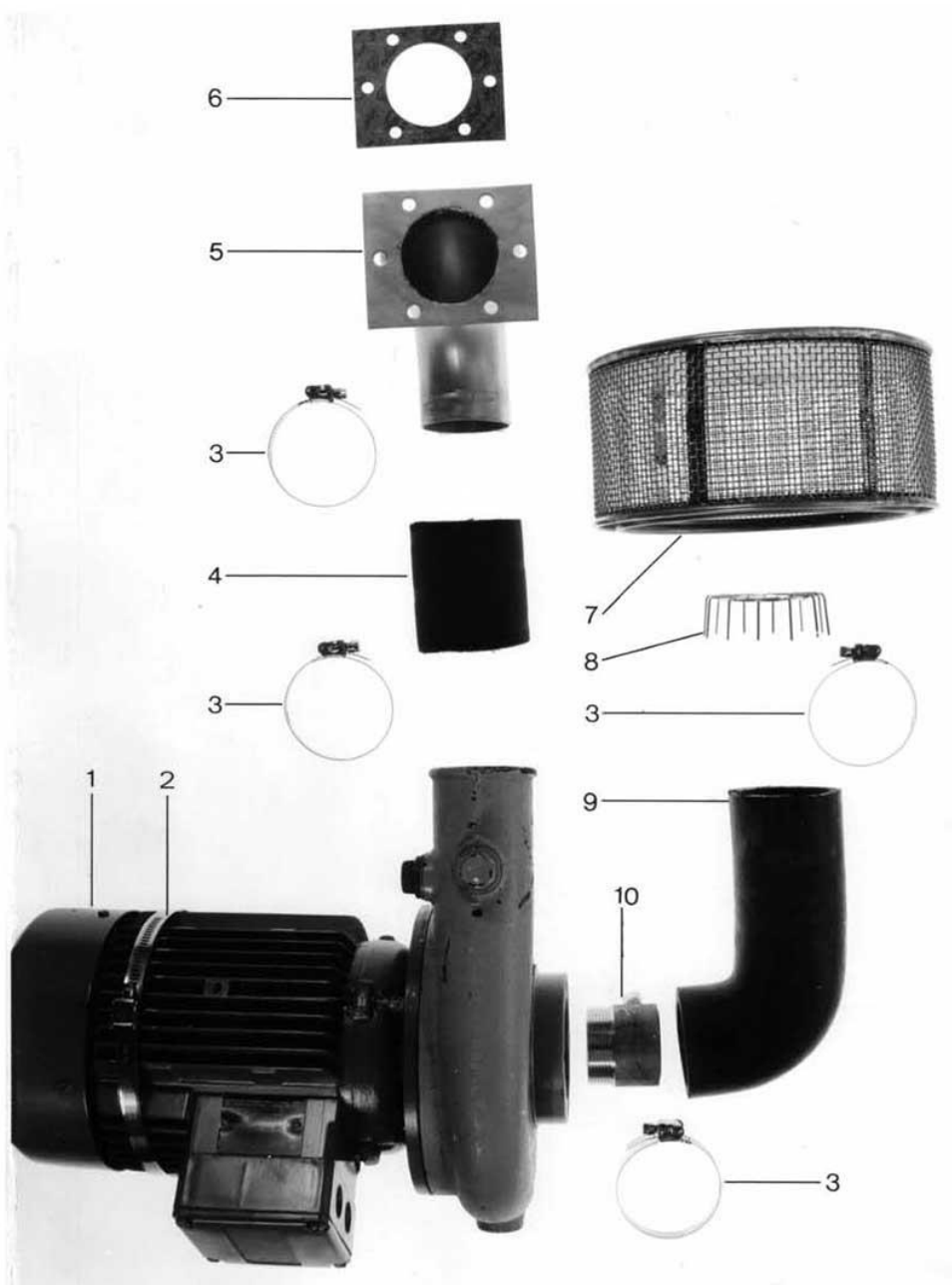






GS 81

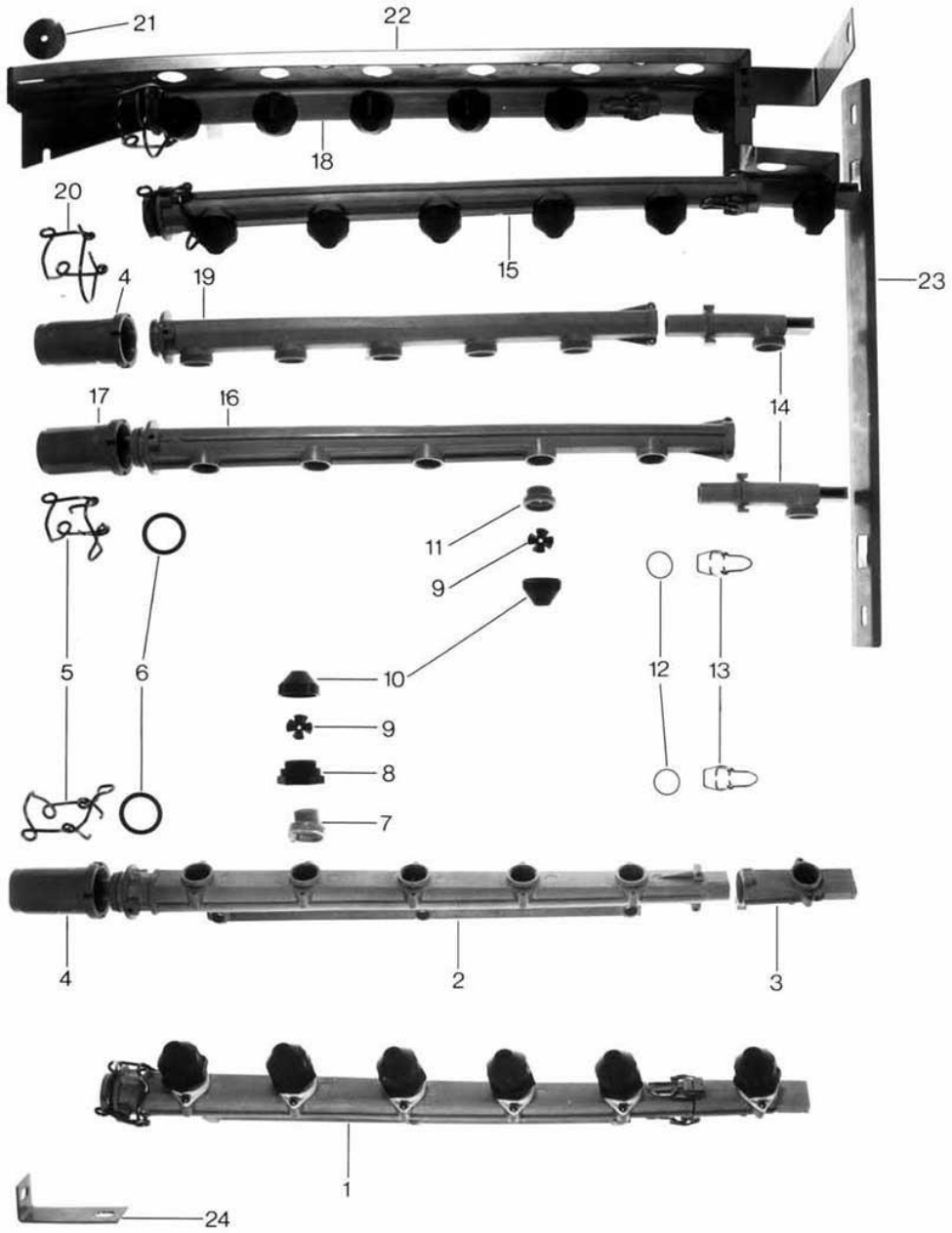
Waschsystem I  
Wash system I  
Système de lavage I





### GS 81

## Waschsystem II Wash system II Système de lavage II



## GS 81 - Wash system II

Pos.	Designation	Part no.	Notes
n.p.	Wash manifold	55 06 035	1 Part made for order only
1	Wash arm cpl. bottom	55 07 051	3
2	Wash arm bottom		Replaced by pos 1
n.p.	Wash arm top and middle	61001965	7 As from 10/89 (with bayonet catch)
3	End piece	35 01 180	only bottom wash arm
4	Ring nut 3/4" BSP x 70 lg.	35 01 130	5 for wash arm bottom and top until 09/89
n.p.	Lock ring D 48 x 29	61002023	7 From 10/89
n.p.	Hexagon cap nut 3/4"	61004059	7 From 10/89
n.p.	O-ring	27 07 049	7 From 10/89, for 61004059
5	Spring lock	28 04 040	for wash arm bottom and middle
6	O-ring ø 27 x 4	27 07 016	
7	Universal jet bottom part	29 10 513	only wash arm bottom
9	Swirl		
10	Jet cap	60002465	
11	Swirl base 3/4" BSP x 1/2"	29 10 507	only wash arm middle
12	O-ring ø 18 x 1,5	27 07 039	
13	Spring lock	28 04 041	for wash arm bottom, middle and top
14	End piece	35 01 192	for wash arm middle and top; top until 05/88
n.p.	End piece top	35 01 088	From 06/88 until 10/89
15	Wash arm cpl. middle	55 07 053	2 Until 10/89
16	Wash arm middle		Replaced by pos 15
17	Ring nut 3/4" BSP x 65 long	55 06 036	2 only wash arm middle
18	Wash arm cpl. top	55 07 057	2 Until 05/88
n.p.	Wash arm cpl. top	55 07 058	2 From 06/88
n.p.	Wash arm cpl. bottom, middle and top	61001965	7 (with bayonet catch)
19	Wash arm top		Replaced by pos 18
20	Spring lock	28 04 042	only wash arm top
21	Washer ø 34,5 x 2,0	55 08 046	for wash arm support
22	Wash arm support top right	55 08 044	1 Until 10/87
n.p.	Wash arm support top left	55 08 045	1
n.p.	Wash arm support top right cpl.	55 08 055	1
n.p.	Wash arm support top left cpl.	55 08 056	1 From 11/87 until 05/88
n.p.	Wash arm support top right cpl.	55 08 055	1
n.p.	Wash arm support top left cpl.	55 08 056	1 From 06/88
23	Connection profile	55 08 047	1 Until 10/87
n.p.	Connection profile	55 08 057	1 From 11/87 until 05/88
n.p.	Connection profile	55 08 058	1 From 06/88
24	Manifold elbow	55 06 038	for fixing wash manifold

**GS 81**

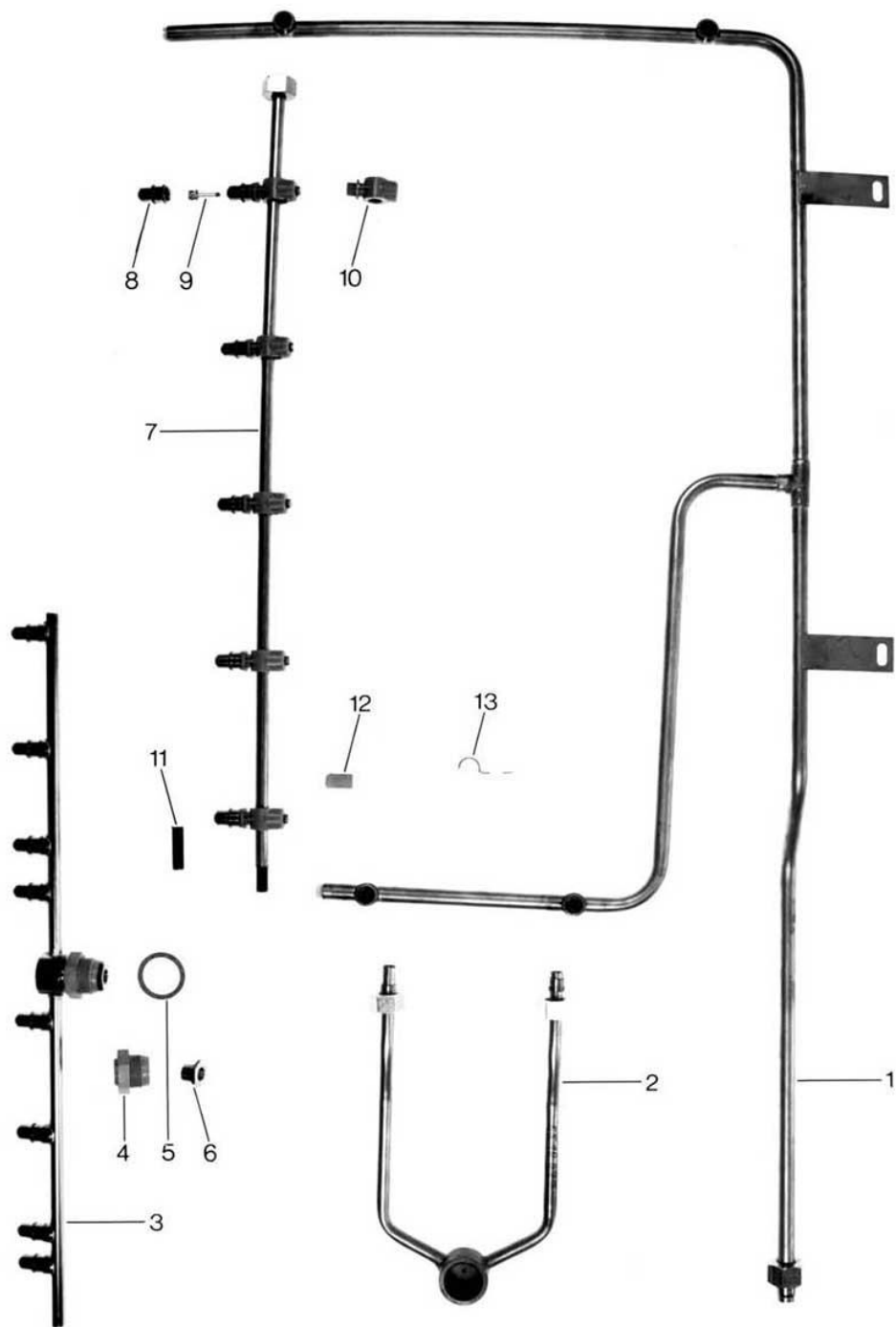
**Nachspülung I (Boiler)  
Rinsing I (boiler)  
Rinçage I (surchauffeur)**



**GS 81 - Rinsing I (boiler)**

Pos.	Designation	Part no.	Notes	
1	Boiler 6 kW and 12 kw	55 12 032	without heating element	
2	Seal $\varnothing$ 18 x $\varnothing$ 10 x 1,5	27 03 003		
3	Blanking cap M 10 x 21	20 01 352		
4	Seal $\varnothing$ 28 x $\varnothing$ 21 x 2	27 09 011	for pos. 5/8	
5	Double nipple 1/2" BSP x 30 lg.	70000459		
6	Angle 1/2" BSP	30 02 301		
7	Rinse connection	55 11 069		
8	Double nipple 1/2" BSP x 38 lg.	30 11 301		
9	Locking nut 1/2" BSP	30 09 201		
10	Hose clip 182-202	28 02 121		
11	Heating element 6 kW 220/380 V	31 03 017		
n.p.	Heating element 6 kW 240/420 V	31 03 043		
12	Link wire	31 23 088		
13	O-ring	27 07 069		
14	Clamping ring with angle	55 19 018		
15	Covering cap	31 03 014		
n.p.	Tubing for DVGW	55 11 075	since 11/87 with Backflow restrictor	
n.p.	Backflow restrictor	35 01 193		
n.p.	Hose	40 02 029		6 cm
n.p.	Hose elbow 90°	40 03 001		
n.p.	Hose clamp	28 02 108		4 x

**GS 81**  
**Nachspülung II**  
**Rinsing II**  
**Rinçage II**

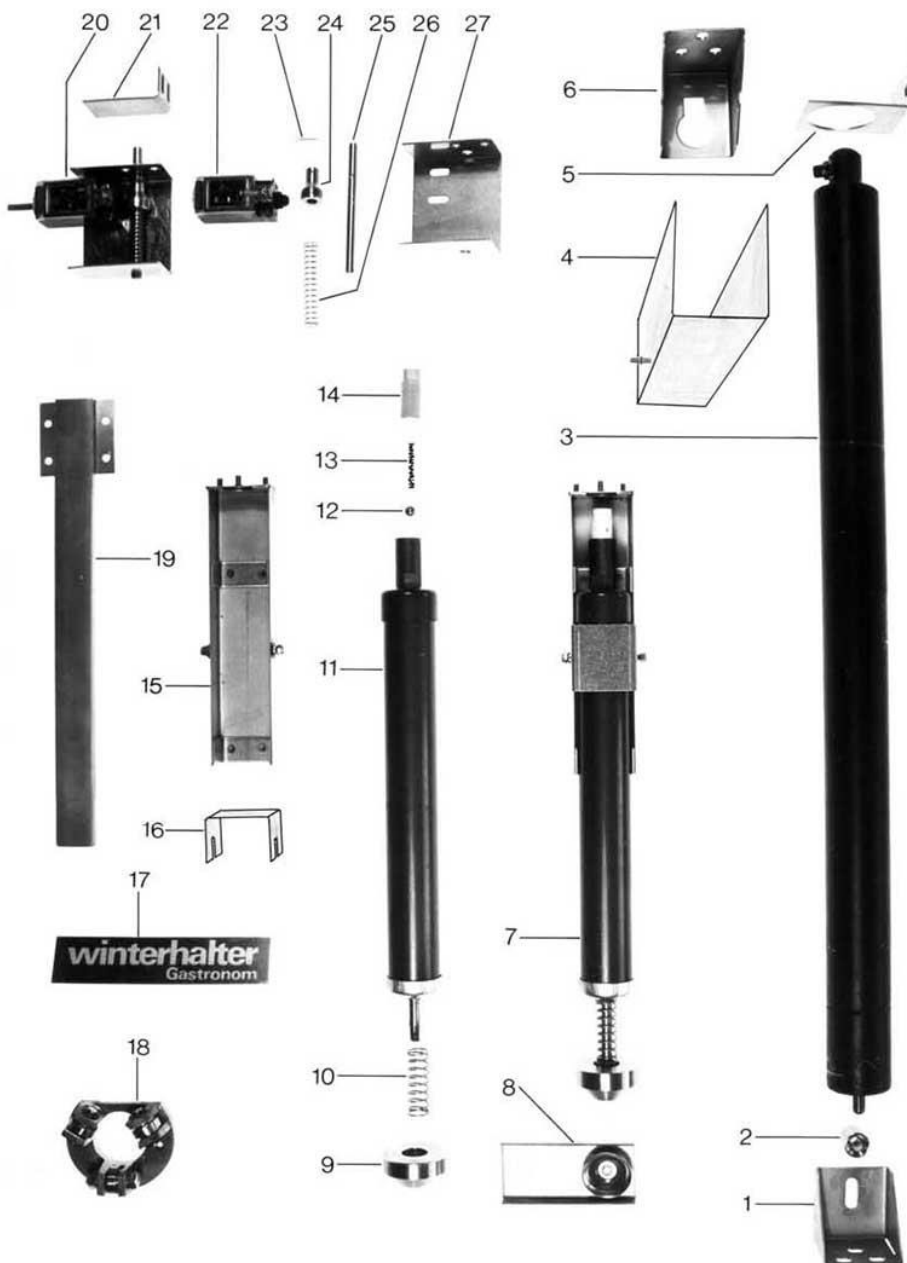






### GS 81

Haube, Haubenführung, Haubenverriegelung I  
Hood, hood guide, hood locking I  
Capot, guide du capot, verrouillage du capot I



### GS 81 - Hood, hood guide, hood locking

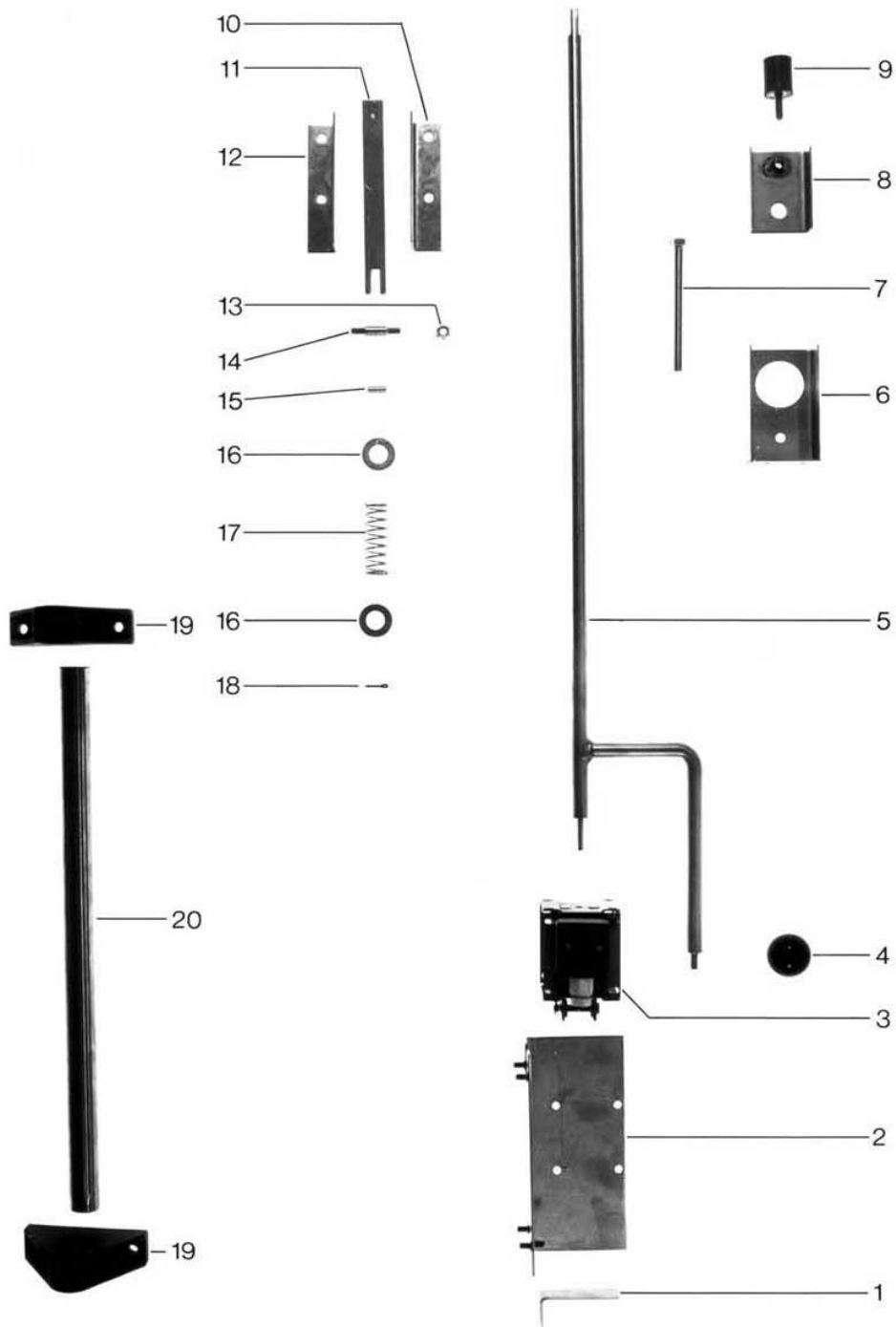
Pos.	Designation	Part no.	Notes
n.p.	Hood	55 20 022	Until 5/88 Part made for Order only!
n.p.	Hood	61001286	From 06/88 Part made for Order only!
n.p.	Cover plate	55 20 023	Part made for Order only!
n.p.	Guide pipe	55 21 009	Drill bottom hole while fixing
n.p.	Rack support	55 04 041	Until 12/87 Part made for Order only!
n.p.	Rack support corner version	55 04 042	Until 12/87 Part made for Order only!
n.p.	Rack support corner version	55 04 043	Until 12/87 Part made for Order only!
n.p.	Rack support corner version R - L	55 16 065	Until 06/88 Part made for Order only!
n.p.	Rack support corner version L - R	55 16 064	Until 06/88 Part made for Order only!
n.p.	Rack support corner version	80000182	From 06/88 Part made for Order only!
n.p.	Rack support	80000419	From 06/88 Part made for Order only!
n.p.	Bracket to 80000182	80000419	
n.p.	Hexagon nur M5, self locking	21 05 302	to 80000182
n.p.	Washer	22 01 300	
1	Gas spring support bottom	55 22 027	
2	Centering piece	28 14 341	
3	Gas pressure spring	28 04 100	Alternative MA 134
4	Weight protection	55 22 031	for pos. 5
5	Gas spring support top	55 22 030	
6	Gas spring bracket	55 22 029	
7	Shock absorber cpl.	55 22 035	
n.p.	Packing	40 06 018	
8	Shock absorber support cpl.	55 22 033	with guide cap
9	Weight	28 14 001	
n.p.	Weight in the hood	61001194	12 plates are 1,43 kg
10	Spring ø 18 x 1,2 x 50 lg.	28 04 027	
11	Pump	55 22 035	with valve seat (Ms)
12	Ball ø 10	28 01 044	
13	Pressure spring ø 7,5 x 35 lg.	28 04 006	
14	Valve screw ø 20 x 42 lg.	28 14 500	
15	Shock absorber bracket	55 22 037	
16	Clamping piece	<del>55 22 038</del>	no more available
17	Plate cpl.	55 20 025	with welding bolts
18	Roller bracket cpl.	55 21 010	4 x
19	Drain	55 20 026	
20	Limit switch cpl.	55 22 039	
21	Limit switch angle	55 22 040	Until 11/87 Part made for order only!
n.p.	Limit switch angle	55 22 047	From 12/87 Part made for order only!
22	Limit switch	80003235	
23	Split ring ø 2 x 15	23 15 300	
24	Trip cam ø 18 x 27 lg.	28 14 204	
25	Switch rod ø 8 x 105	55 22 026	Part made for order only!
26	Retaining support ø 9,2 x 65	28 04 011	
27	Limit switch bracket	55 22 041	
n.p.	Water through front	55 04 038	Part made for order only!
n.p.	Water through right	55 04 039	Part made for order only!
n.p.	Water through left	55 04 040	Part made for order only!
n.p.	Sticker Wiha GS 81	28 03 175	
	x = Please indicate machine no. and age.		

### GS 81 - Hood, hood guide, hood locking with counterweight

Pos.	Bezeichnung	Teile-Nr.	Bemerkung
o.P.	Conv.Kit Gas Spring	55 28 134	Instead of gas spring Part made for order only
o.P.	Weight box	80000794	Part made for order only!
o.P.	Cover for weight box	80000797	Part made for order only!
o.P.	Main weight	80000839	Part made for order only!
o.P.	Weight	80000840	Part made for order only!
o.P.	Fixing bracket for pulley left	80000849	Incl. wire und roll
o.P.	Fixing bracket for pulley right	80000865	Incl. wire und roll
o.P.	Wire rope ø5 X 1220	80000807	2 x
o.P.	Rope roll	28 01 503	2 x
o.P.	Guide plate top	80000799	
o.P.	Guide plate bottom	80000924	

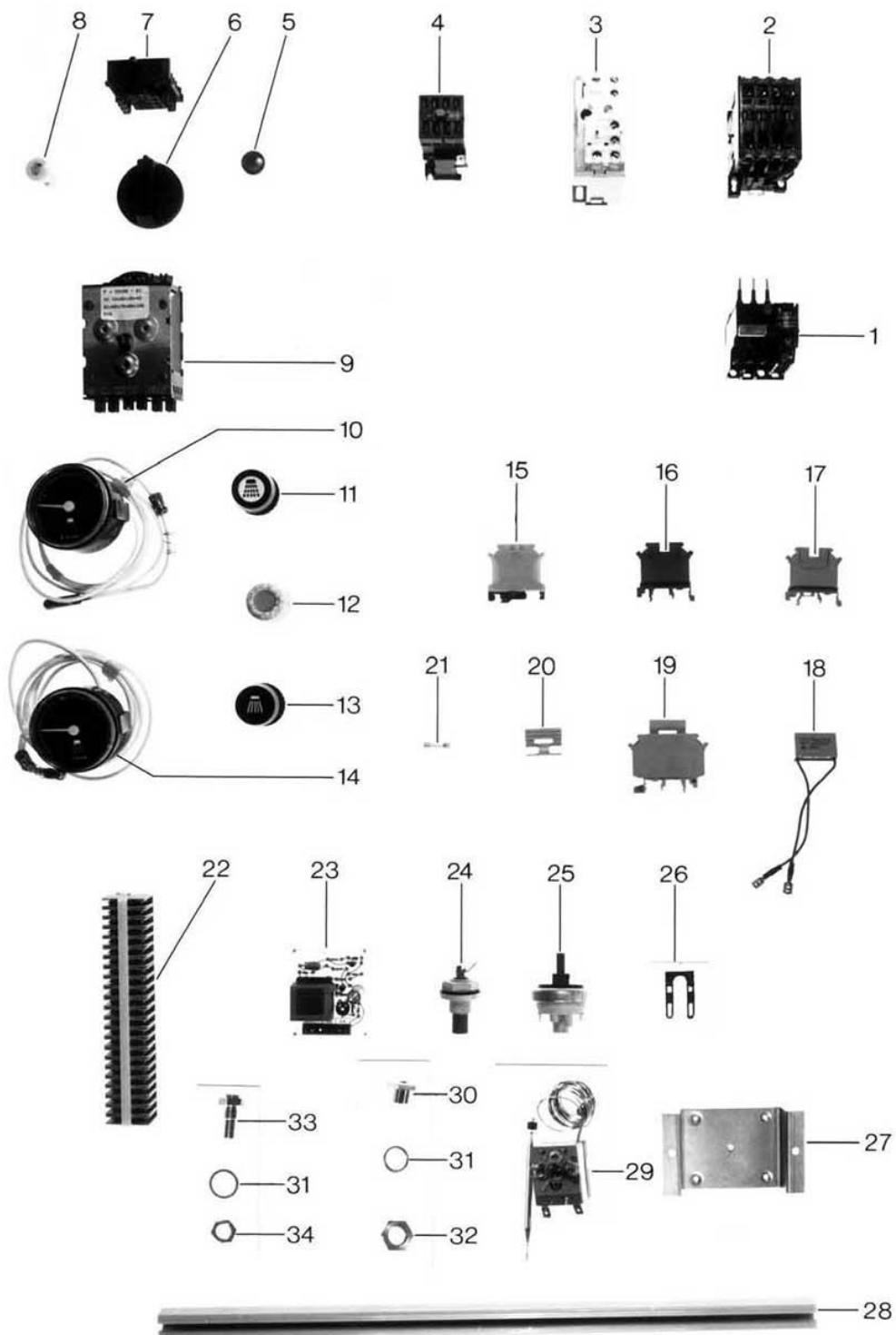
### GS 81

Haube, Haubenführung, Haubenverriegelung II  
Hood, hood guide, hood locking II  
Capot, guide du capot, verrouillage du capot II





**GS 81**  
**Elektroteile**  
**Electrical parts**  
**Matériel électrique**



## GS 81 - Electrical parts

Pos.	Designation	Part no.	Notes
n.p.	Control box	55 18 026	Part made for order only!
n.p.	Control box cover	55 18 025	Part made for order only!
1	Overload relay 5,7 - 18,9 A	31 04 193	
2	Contactor A 9	31 04 161	
3	Time lag relay C 412	31 04 052	
4	Auxiliary contactor	31 04 115	+ 1 x 3104148
5	Pilot light green 220 V	31 08 002	for current supply
6	Locking button	55 19 051	
7	Control switch	31 24 008	
8	Pilot light white 12 V	31 08 038	for Wako
9	Programme switch	31 05 100	
10	Remote thermometer 85°C 3500 mm	32 01 017	for boiler (rinsing)
11	Pressure key button black	31 24 001	manual rinsing
12	Sealing cap	31 24 208	transparent
13	Pressure key button white	31 24 002	manual washing
14	Remote thermometer 55°C 3500 mm	32 01 016	for tank (washing)
15	Terminal block	31 09 059	green/yellow
16	Terminal block	31 09 058	blue
17	Terminal block	31 09 057	grey
18	RC-link 0,25 µF	60000990	
19	Universal fuse terminal	31 09 063	
20	Two-pin fuse	31 09 072	
21	Fine-wire fuse 6,3 Amp.	31 11 043	
22	Terminal strip 23 sections	55 19 065	
23	Electrical supervisory device	31 13 048	Wako
24	Built-in electrode	31 13 043	
25	Level switch	31 26 023	green
26	Clamping spring	31 26 001	
27	Wako bracket	55 19 064	
28	Sliding rail 430 lg.	61000968	
29	Thermostat 2100 mm	31 25 015	for tank and boiler
30	Tank gland	31 25 001	
31	Seal ø 14,2 x ø 19,9 x 2,0	27 09 036	
32	Locking nut M 14 x 1	31 25 002	for pos. 30/33
33	Tank thermometer gland	32 01 030	
34	Locking nut M 14 x 1,5	31 25 002	for pos. 33
n.p.	Plate for control box	28 03 136	